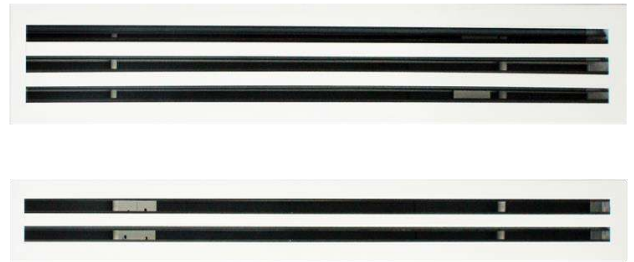


Description

PA Linear Slot Diffuser (Model: LD) is designed for both Supply Air and Return Air applications for AC System. It is suitable for ceiling mounted and standard constructed from extruded aluminium. Finishing for SD is standard powder coated in white colour, other colours are available upon request.



Installation Guideline

1. Accessories Connection

List of available accessories for LD:

- Adaptor Box (ADR)
- Opposed Balde Damper (OBD)
- Plenum Box (PB) [Must pre-installed above the ceiling]

All accessories used for the LD must secure and tighten to the back of the LD with the use of a minimum of two M5 self-tapping screws on each side of the neck of the LD before the installation work can be carried out

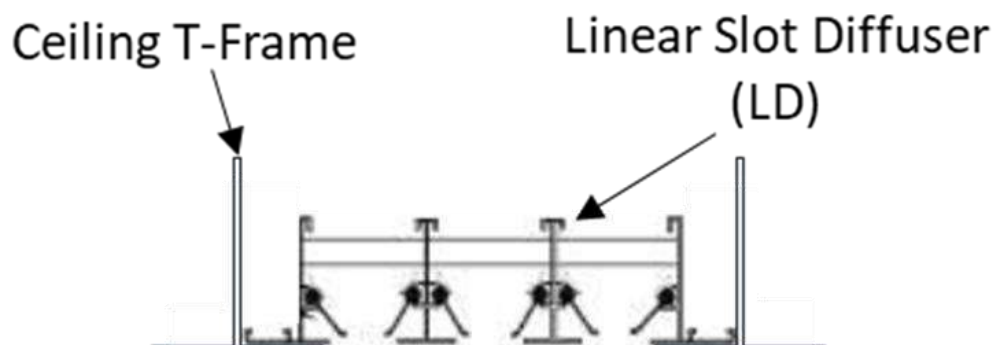
2. Opening Clearance

The hole opening on the wall or ceiling shall be larger than the combination of the LD's neck with its respective accessories combination to permit the installation of the system and the gap should be within 5mm of the overall size of the LD's neck and its accessories combination.

3. Installation Detail

A. Ceiling T-Frame Laying (Ceiling Mounted)

The LD will direct rest on the ceiling T-Frame while the back of the LD is tightened to the concrete slab or the main framework of the ceiling frame above the ceiling with the use of a metal wire. This is to ensure that the LD will not drop and cause any accidents after the installation work is completed.

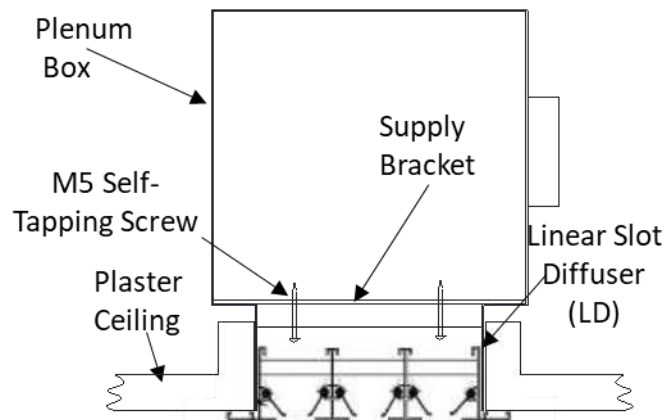


B. Plaster Ceiling Mounting (Ceiling Mounted)

DUCTED RETURN

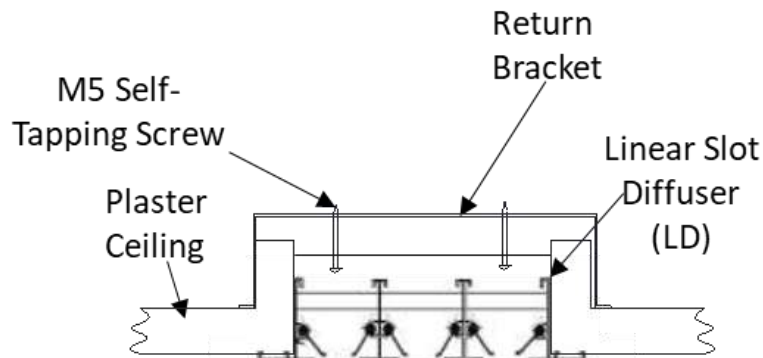
For ducted return, the plenum box must pre-installed above the ceiling before the closure of the plaster ceiling. A marking should be made to indicate the location of the adaptor for the ease of future work.

Once the plaster ceiling dries up and is ready for installation work, open the hole using either a manual or electrical cutting tool based on the location of the plenum box. After that, the user can secure the LD to the bracket of the plenum box with the use of an M5 self-tapping screw and tighten it until the surface of the LD is flush with the ceiling.



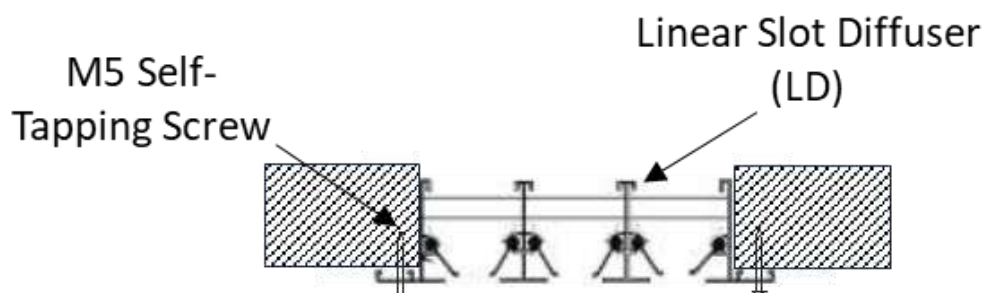
CEILING RETURN

For ceiling return, the user can directly make a hole on the plaster ceiling based on the neck of the LD. Put the return bracket on the ceiling and direct secure the LD to the return bracket with the use of an M5 self-tapping screw and tighten it until the surface of the LD is flush with the ceiling.



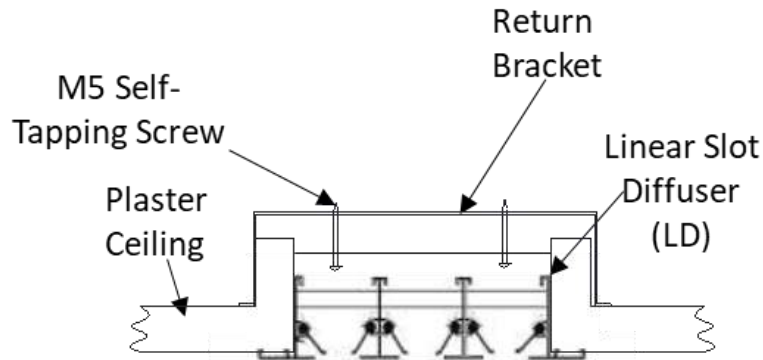
C. Countersunk Screw Mounting (For Both Ceiling & Wall Mounted)

After insert the LD into the opening hole, direct secure the LD with the use of an M5 countersunk screw on the frame of the LD tighten it until the surface of the LD is flush with the ceiling or wall.



D. Concealed Mounting (For Both Ceiling & Wall Mounted)

A ledge must be added for installing bracket in either drywall, sheet metal or angle form. After insert the LD into the opening hole, secure the LD into the bracket with use of an M5 self-tapping screw and tighten it until the surface the surface of the LD is flush with the ceiling or wall



E. Plenum Box Mounting (For Both Ceiling & Wall Mounted)

The plenum box must be pre-installed above the ceiling before the closure of the plaster ceiling. The plenum box should be secured in position with the use of a metal rod or metal wire to a position where is safe above the ceiling. A marking should be made to indicate the location of the adaptor for the ease of future work.

Once the plaster ceiling dries up and is ready for installation work, open the hole using either a manual or electrical cutting tool based on the location of the plenum box. After that, the user can secure the LD to the bracket of the plenum box with the use of an M5 self-tapping screw and tighten it until the surface of the LD is flush with the ceiling or wall.

