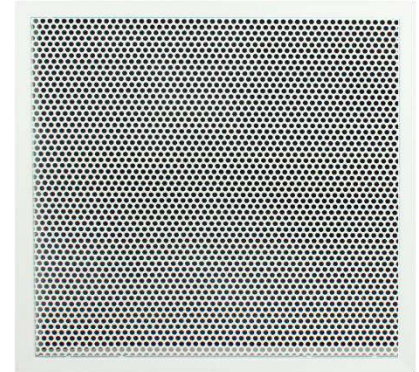


Description

PA Perforated Diffuser (Model: PD) is designed for both Supply Air and Return Air applications for AC System. It is suitable for ceiling mounted. Besides standard constructed from extruded aluminium, stainless steel material is available upon request. Finishing for PD is standard powder coated in white colour, other colours are available upon request.



Installation Guideline

1. Accessories Connection

List of available accessories for PD:

- Adaptor Box (ADR)

All accessories used for the PD must secure and tighten to the back of the PD with the use of a minimum of two M5 self-tapping screws on each side of the neck of the PD before the installation work can be carried out

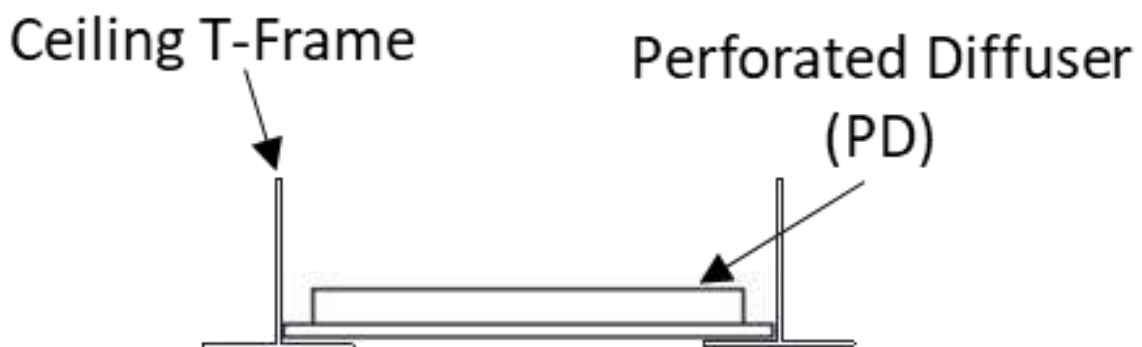
2. Opening Clearance

The hole opening on the wall or ceiling shall be larger than the combination of the PD's neck with its respective accessories combination to permit the installation of the system and the gap should be within 5mm of the overall size of the PD's neck and its accessories combination.

3. Installation Detail

A. Ceiling T-Frame Laying (Ceiling Mounted)

The PD will direct rest on the ceiling T-Frame while the back of the PD is tightened to the concrete slab or the main framework of the ceiling frame above the ceiling with the use of a metal wire. This is to ensure that the PD will not drop and cause any accidents after the installation work is completed.

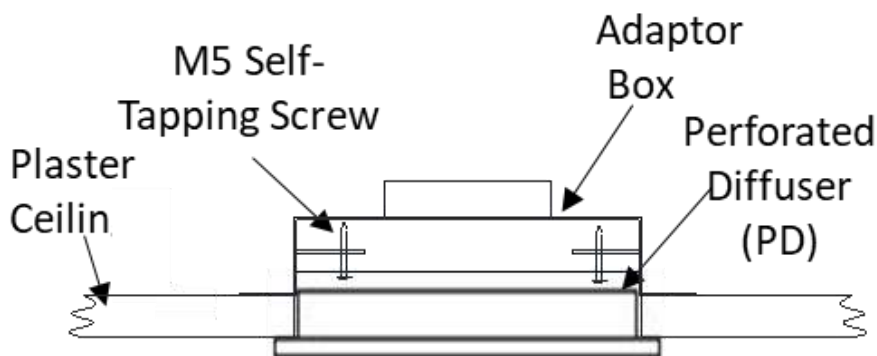


B. Plaster Ceiling Mounting (Ceiling Mounted)

DUCTED RETURN

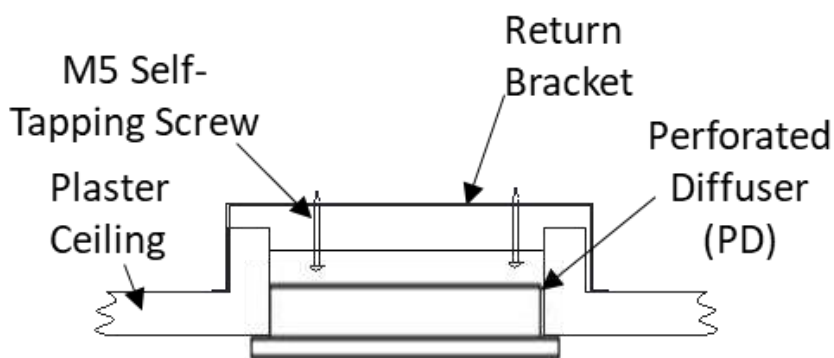
For ducted return, the specially made adaptor box with an additional secure bracket must pre-installed above the ceiling before the closure of the plaster ceiling. A marking should be made to indicate the location of the adaptor for the ease of future work.

Once the plaster ceiling dries up and is ready for installation work, open the hole using either a manual or electrical cutting tool based on the location of the adaptor box. After that, the user can secure the PD to the bracket of the adaptor box with the use of an M5 self-tapping screw and tighten it until the surface of the PD is flush with the ceiling.



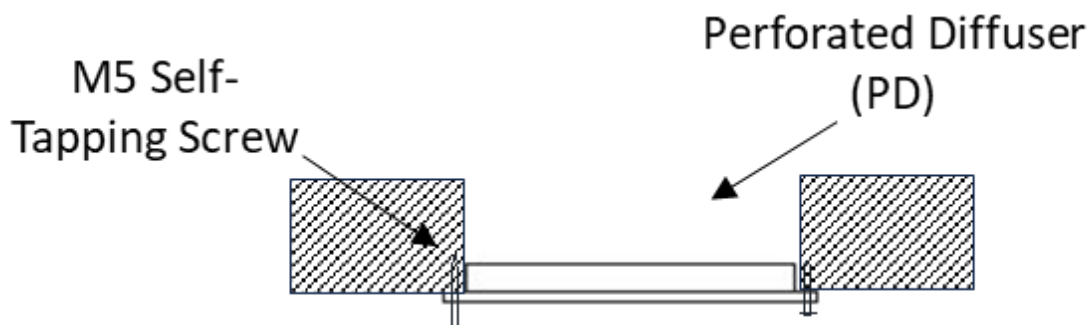
CEILING RETURN

For ceiling return, the user can directly make a hole on the plaster ceiling based on the neck of the PD. Put the return bracket on the ceiling and direct secure the PD to the return bracket with the use of an M5 self-tapping screw and tighten it until the surface of the PD is flush with the ceiling.



C. Countersunk Screw Mounting (For Both Ceiling & Wall Mounted)

After insert the PD into the opening hole, direct secure the PD with the use of an M5 countersunk screw on the frame of the PD tighten it until the surface of the PD is flush with the ceiling or wall.



D. Concealed Mounting (For Both Ceiling & Wall Mounted)

A ledge must be added for installing bracket in either drywall, sheet metal or angle form. After insert the PD into the opening hole, secure the PD into the bracket with use of an M5 self-tapping screw and tighten it until the surface the surface of the PD is flush with the ceiling or wall

