

PROJECT TITLE : \_\_\_\_\_  
 OWNER : \_\_\_\_\_  
 CONSULTANT : \_\_\_\_\_  
 CONTRACTOR : \_\_\_\_\_  
 LOCATION : \_\_\_\_\_

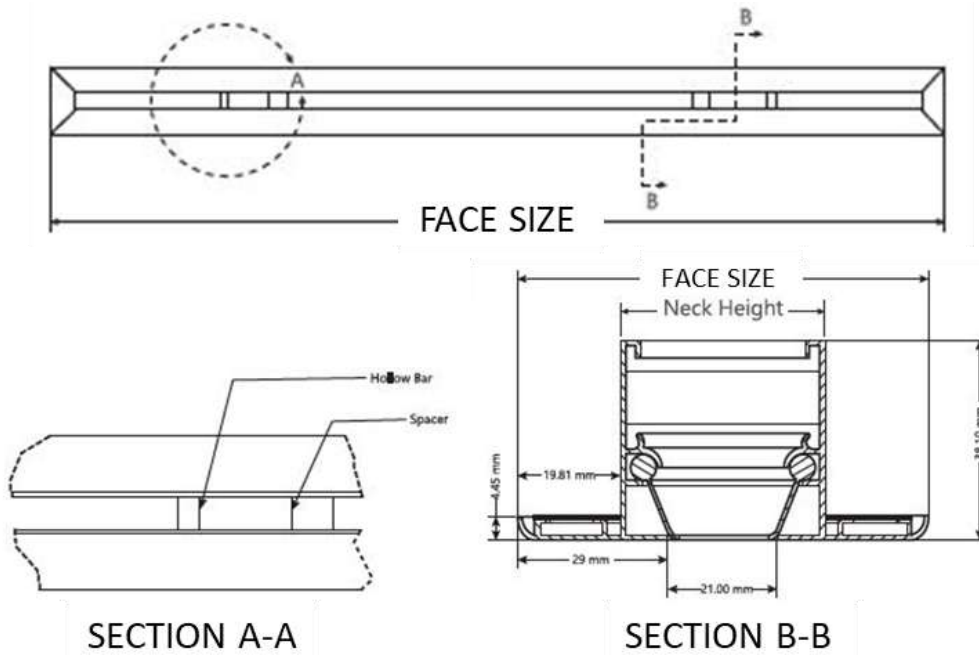
**PRODUCT SUBMISSION**

**DETAIL**

Doc No.: 2024-SUB-014  
 (updated on 14-04-2024)

**BRAND : PRUDENT AIRE**

**PRODCUT DETAIL: LINEAR SLOT DIFFUSER (MODEL: LD)**



**NOTES:**

1. Standard Aluminium Constructed
2. Dimension Detail
  - a. Frame:
    - Size : 28mm (30mm)
    - Thickness : 0.9mm
  - b. Deflector:
    - Thickness : 0.9mm

**Slot Size Detail – Standard 21 mm**

Number of Slot	Face Size (mm)	Neck Size (mm)
1	79	40
2	118	79
3	157	118
4	196	157
5	235	196
6	279	235
7	313	279
8	352	313

**Color**

- White (RAL 9010) [Standard]
- Others, \_\_\_\_\_

**Accessories**

- Opposed Blade Damper (OBD)
- Plenum Box c/w Wingnut Damper (PB)
- Others, \_\_\_\_\_