

PROFLEX (S) AIRE PTE LTD

NON RETURN DAMPER INSTALLATION DETAIL

DOC NO.: 2024-INS-021

Description

PA Non Return Damper (Model: NRD) is designed to prevent the backflow of the air in the ducting system. Besides standard constructed from galvanised steel (GI), stainless steel material is available upon request.

Installation Guideline

1. Installation Detail

A. Slip Joint

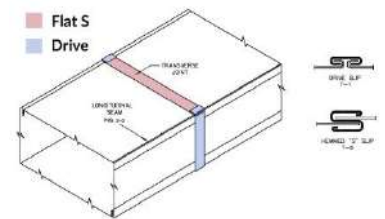
Connect the NRD to the ducting, secure one edge with Drive slip (C Clip) and Hemmed "S" Slip (S Clip)

B. TDF Joint

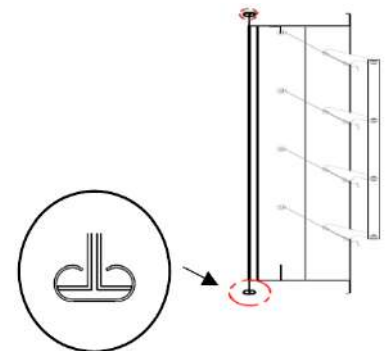
Add one layer of gasket to the NRD before assembly to the ducting. Install and tighten M6 bolts and nuts to the slotted holes (at the 4 corners) at the duct and the NRD. Use a TDF clip at each end of the flanges to connect both the damper and duct.

C. Slot In

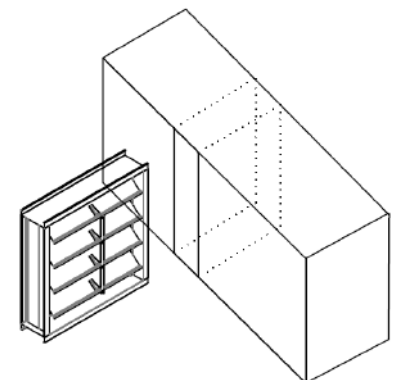
Cut an opening at the selected NRD position at the side of the duct with gap of 5mm. Slide the damper into the opening of the duct. Use fastener to secure the damper inside the duct.



Slip Joint Method



TDF Joint Method



Slot In Method